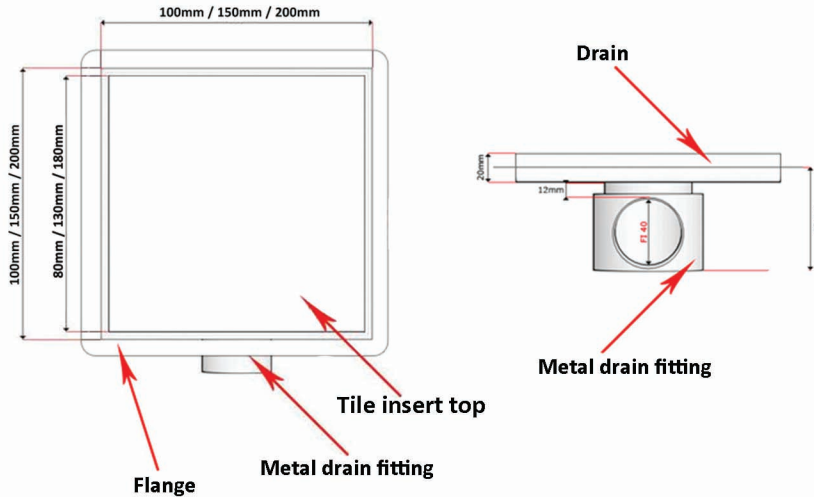


# Stainless steel tile insert square floor drains "KNF\_zab\_m"

(stainless steel siphon fi40/fi50)

POINT SERIES

## SHOWER DRAINS



### THE SET INCLUDES:

- lid which enable tile top option
- square drain
- plastic drain fitting PCV McAlpine which can be cleaned from above
- flange
- the trap and the outlet

Lid patterns available:  
tile insert top

### ASSEMBLY ACCESSORIES

- waterproofing membrane
- possibility to move the outlet



### TECHNICAL CHARACTERISTICS:

- width with flange 115mm/165mm/215mm
- width without flange 100mm/150mm/200mm
- grate width 90mm/140mm/190
- drain high up to flange 65mm
- drain high including top - 80mm
- water outlet diameter fi40/fi50
- warranty cover period - 5 years
- material used for this drain type - stainless steel 304

High quality products  
Shower Drains - 100 % stainless steel!