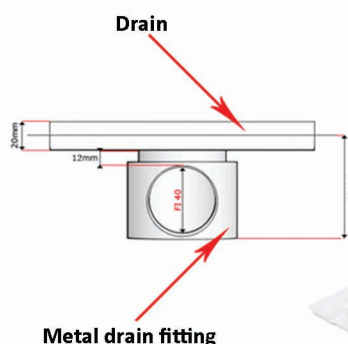
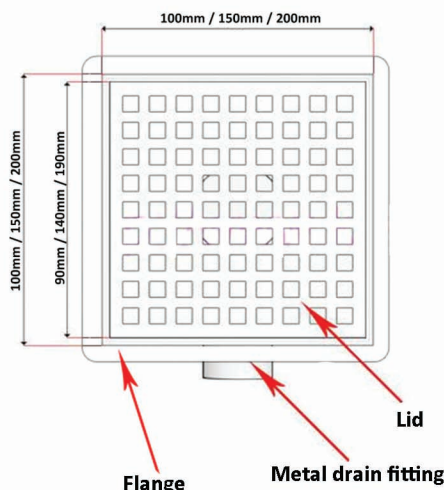


Stainless steel square floor drains "KNF_m"

(stainless steel siphon fi40/fi50)

POINT SERIES

SHOWER DRAINS



THE SET INCLUDES:

- decorative lid (grate) - 7 patterns available
- square drain
- stainless steel drain fitting which can be cleaned from above
- flange
- the trap and the outlet

ASSEMBLY ACCESSORIES

- waterproofing membrane
- possibility to move the outlet

TECHNICAL CHARACTERISTICS:

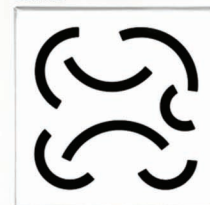
- width with flange 115mm/165mm/215mm
- width without flange 100mm/150mm/200mm
- grate width 90mm/140mm/190
- drain high up to flange 65mm
- drain high including top - 80mm
- water outlet diameter fi40/fi50
- warranty cover period - 5 years
- material used for this drain type - stainless steel 3

LID PATTERNS AVAILABLE:

Wave



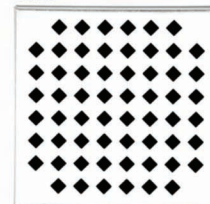
Clone



Ceramic



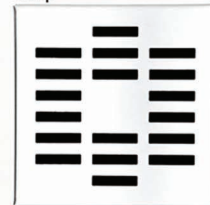
Caro



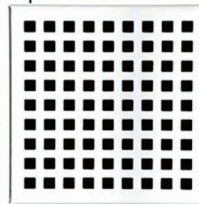
Round



Strip



Square



Radius



High quality products
Shower Drains - 100 % stainless steel!