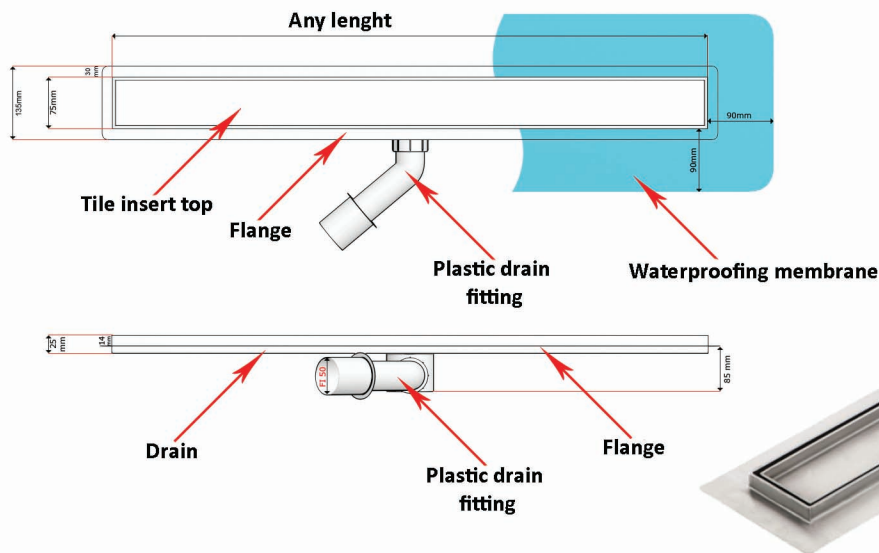


Tile insert shower drains "KF_zab_p" (plastic outlet siphon fi50)

SILVER SERIES

SHOWER DRAINS



THE SET INCLUDES:

- lid which enable tile top option
- drain channel
- plastic drain fitting PCV McAlpine which can be cleaned from above
- flange
- the trap and the outlet

Lid patterns available:
tile insert top



ASSEMBLY ACCESSORIES

- waterproofing membrane
- assembly legs
- customized length available
- possibility to move the outlet

TECHNICAL CHARACTERISTICS:

- drain width with flange 135mm
- grate width 75mm
- drain high up to flange 85mm
- width of place to put tile in - 56mm
- water outlet diameter fi50
- warranty cover period - 5 years
- material used for this drain type - stainless steel 304

High quality products
Shower Drains - 100 % stainless steel!